

INSTALLATION INSTRUCTIONS

---

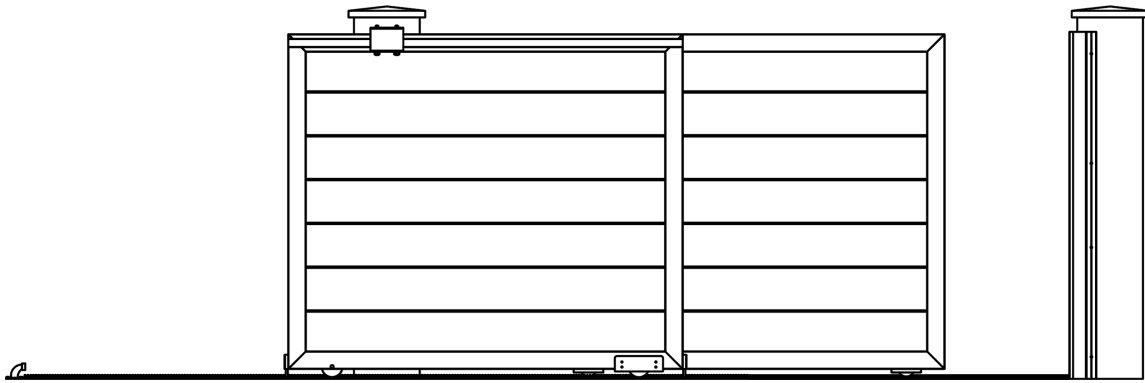
# TELESCOPIC SLIDING GATE



*le portail en ligne*



---



2x 

### LIST OF PARTS SUPPLIED:

- 2 sliding leaves
- 1 guide
- 1 single rail
- 1 notched rail
- 1 rack
- 1 receiving stop
- 1 end stop
- Lock and handle (if gate is not motorised)



Screws, plugs and bolts not supplied

## Equipment required for installation (not supplied):



Gloves



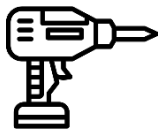
Safety goggles



Scissors  
(for unpacking)



1 drill



1 screwdriver



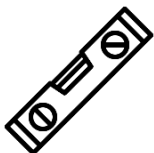
Metal drill bits, 4,  
7 and 10 mm  
diameter



Concrete drill  
bits, 6, 8 and 14  
mm diameter



Chalk line



Level



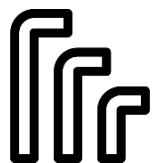
Meter



Pencil/felt-tip pen



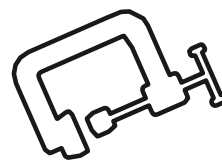
Hammer



5 mm hex key



13 mm flat  
spanner

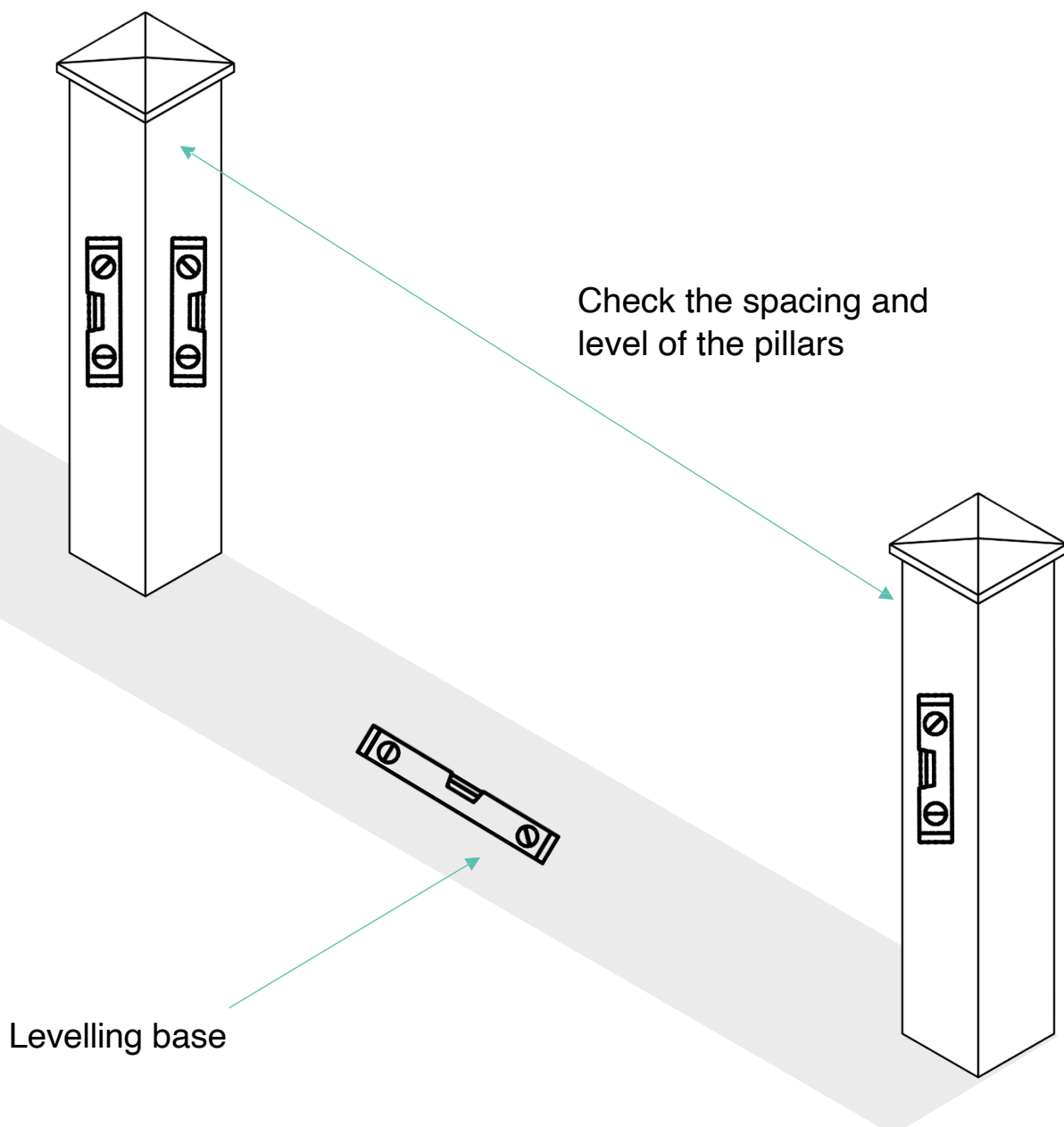


Clamps and  
wooden wedges  
(if necessary to  
wedge the gate  
against the pillar)

## Installation steps:

### I/ Checking dimensions and levels:

1. Using a tape measure, check the dimensions between the pillars at the top and bottom (see installation video).
2. Using a large spirit level, check the level of the ground.
3. Using a spirit level, check the verticality of each side of the pillars.



## II/ Fixing the receiving stop:

1. Using a tape measure, take the reference measurements before drilling the receiving stop. We recommend drilling holes 10 cm from the top and bottom of the stop, then drilling two more holes at equal distances between the first two holes (e.g. for a 1.70 m receiving piece, the first two holes are drilled 10 cm from the top and bottom, leaving 1.50 m to be divided into three to obtain an equal distance of 50 cm for the two remaining holes).
1. Using a drill and a 4 mm metal drill bit, then a 7 mm drill bit, drill the stop at the marked measurements.
2. Mill then with a bit for metal with diameter 10,
3. Using a spirit level, check that the landing stop is plumb against the pillar before drilling, then use a pencil/felt-tip pen to mark the reference points on the pillar.
4. Using a drill and a 6 mm diameter concrete drill bit, drill holes in the pillar at the various markings.
5. Using a hammer, insert the plugs (6x50) into the holes you just drilled.
6. Position the landing stop against the pillar and screw the assembly together (5x50 screws).

Stop

Drill 10 cm from the top

Drill two holes at equal distances between the top and bottom holes.

Drill 10 cm from the bottom

***Pillar viewed from above***

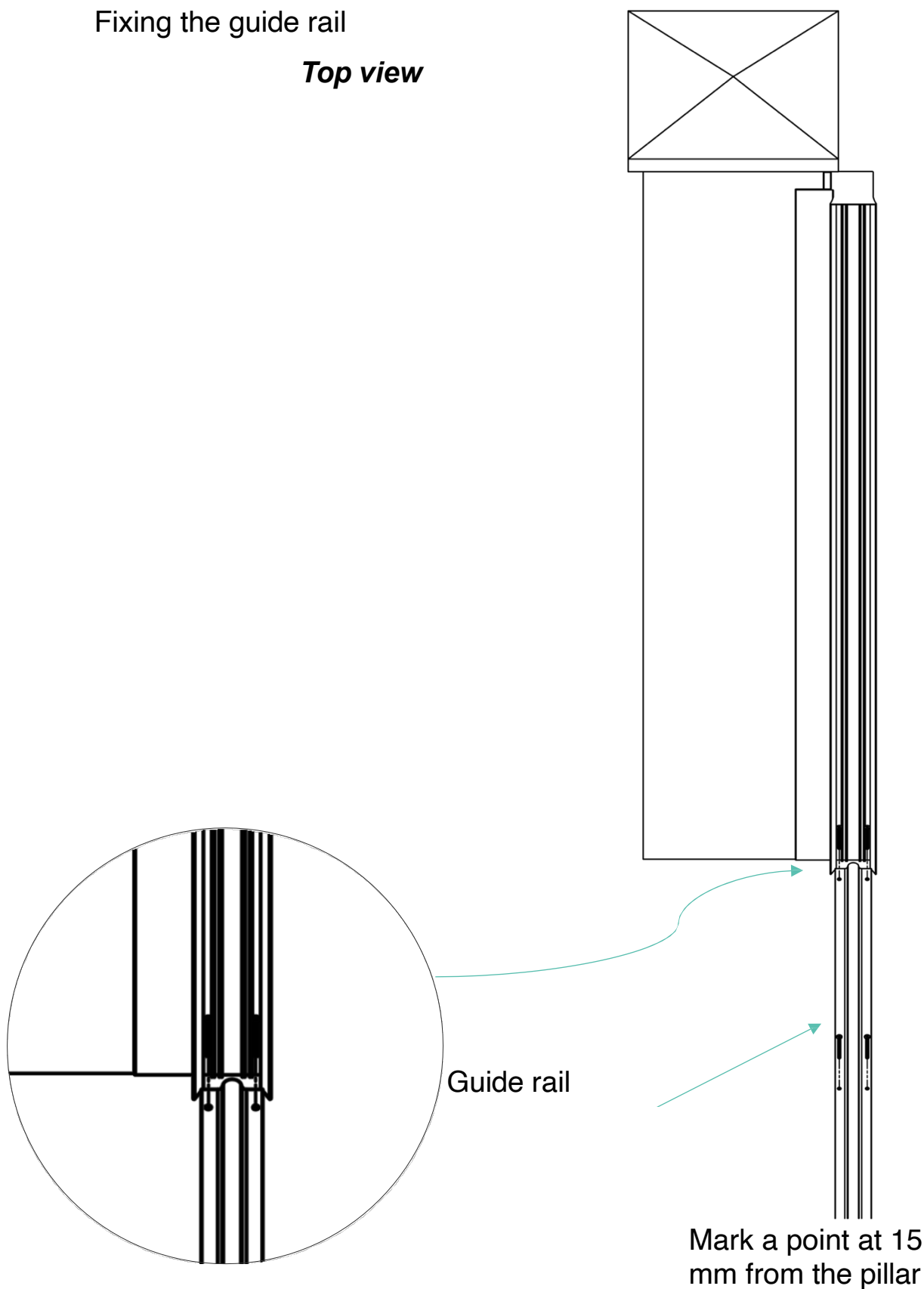
### III/ Fix the guide rails:

1. Align the rail (single rail) with the notch in the receiving stop and use a pencil/felt-tip pen to mark a reference point (street side).
2. At the foot of the opposite pillar, mark a point 15 mm from the pillar.
3. Using a chalk line, draw a line from one end to the other.
4. Position the rail (single rail) against the line you have drawn (inner side).
5. Using a pencil/felt-tip pen, mark the location of the fixing points.
6. Using a drill and a 6 mm diameter concrete drill bit, drill the previously marked locations, clean and vacuum.
7. Using using a hammer, insert the pegs (6x50) into the holes made previously,
8. Position the first rail (single rail) on the floor and screw the assembly together (5x50 screws).
9. Then position the second rail (notched rail) 38 mm from the single rail (inner side) and use a tape measure and pencil/felt-tip pen to mark the reference points.
10. Using a pencil/felt-tip pen, mark the location of the fixing points.
11. Using a drill and a 6 mm diameter concrete drill bit, drill the previously marked locations, clean and vacuum.
12. Using Using a hammer, insert the pegs (6x50) into the holes made previously,

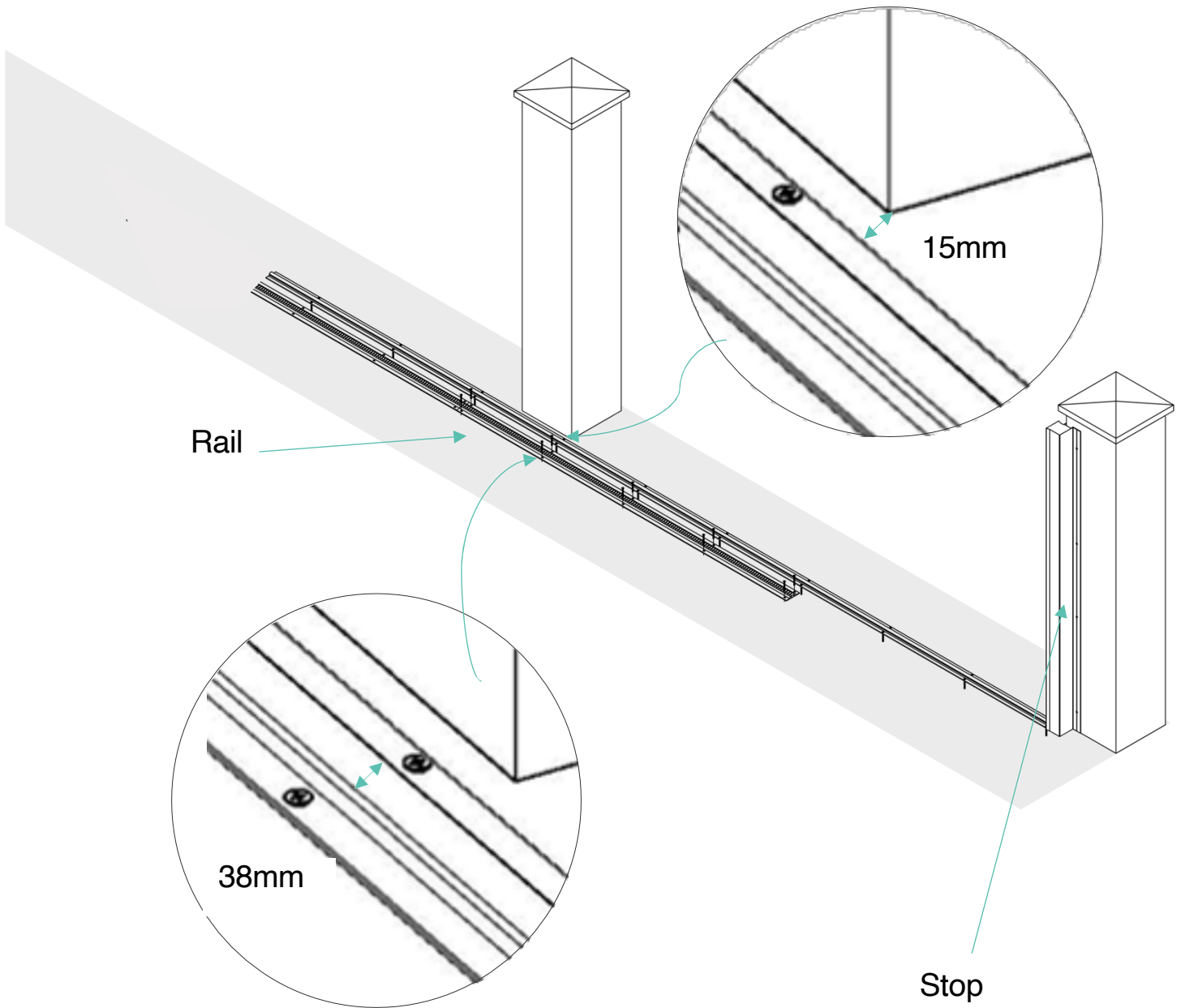
13. Position the second rail (notched rail) on the floor and then screw the assembly together (5x50 screws).

Fixing the guide rail

**Top view**



Mark a point 15mm from the pillar, then a second point 38mm between the two rails

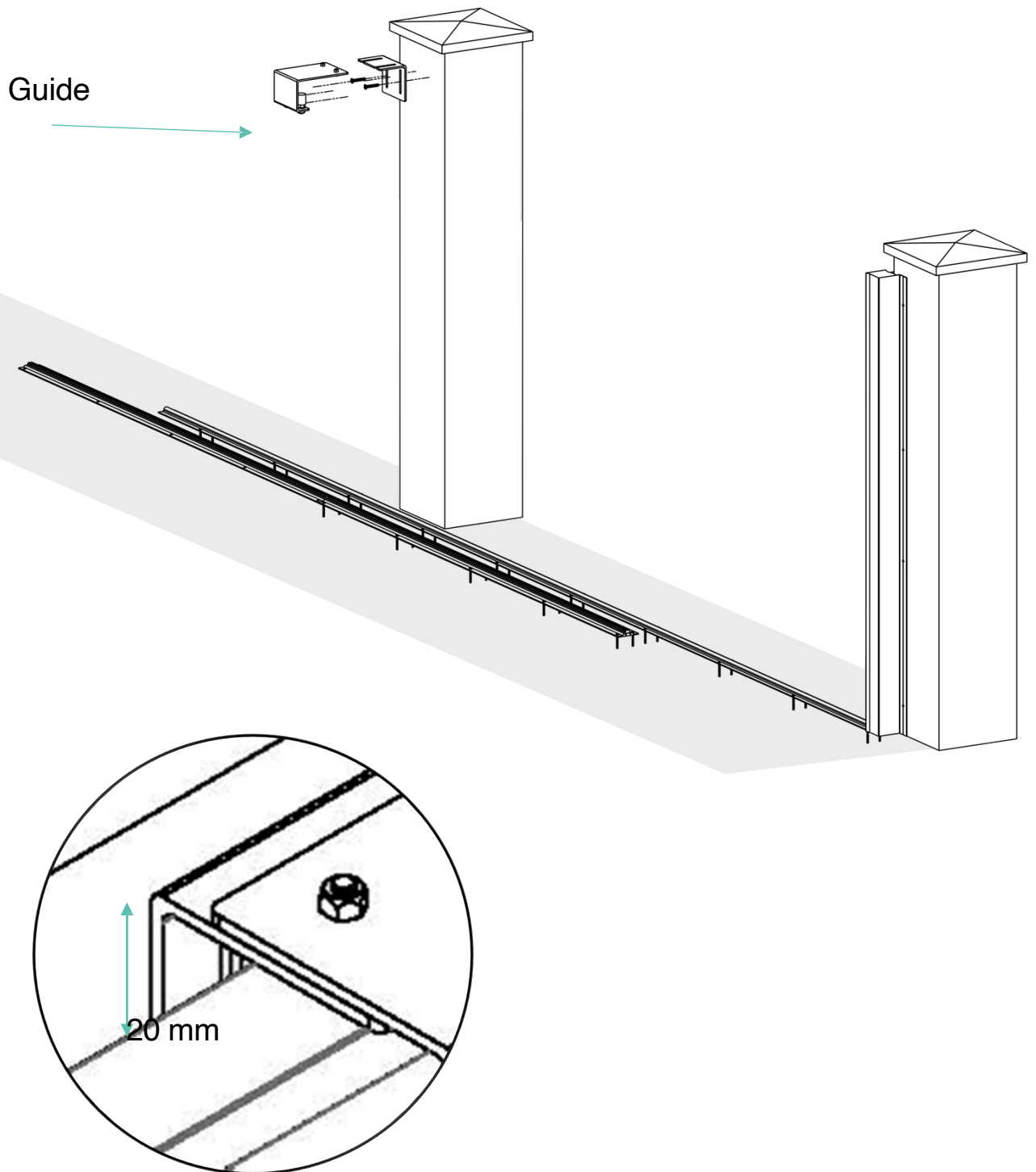


Fixing the guide rail

#### IV/ Fix the guide to the pillar:

1. Using a spirit level and a pencil/felt-tip pen, mark the top of the guide 25 mm higher than the height of your gate (e.g. if you have ordered a gate with a height of 1.70 m, you will need to mark a line at 1.725 m).
2. Detach the two parts of the guide and place the one with the two grooves against the pillar at the mark you made earlier.
3. Using a pencil/felt-tip pen, mark the entire height of the grooves and then draw a line 5 cm from the mark at the top of the guide.
4. Using a drill and an 8 mm and then 14 mm concrete drill bit, drill the previously marked locations, clean and vacuum.
5. Dowel the piece with 14 mm diameter dowels, then screw the assembly together using a screwdriver and a 5 mm hex key.
6. Insert the other part and partially screw it in place using a 13 mm flat spanner.

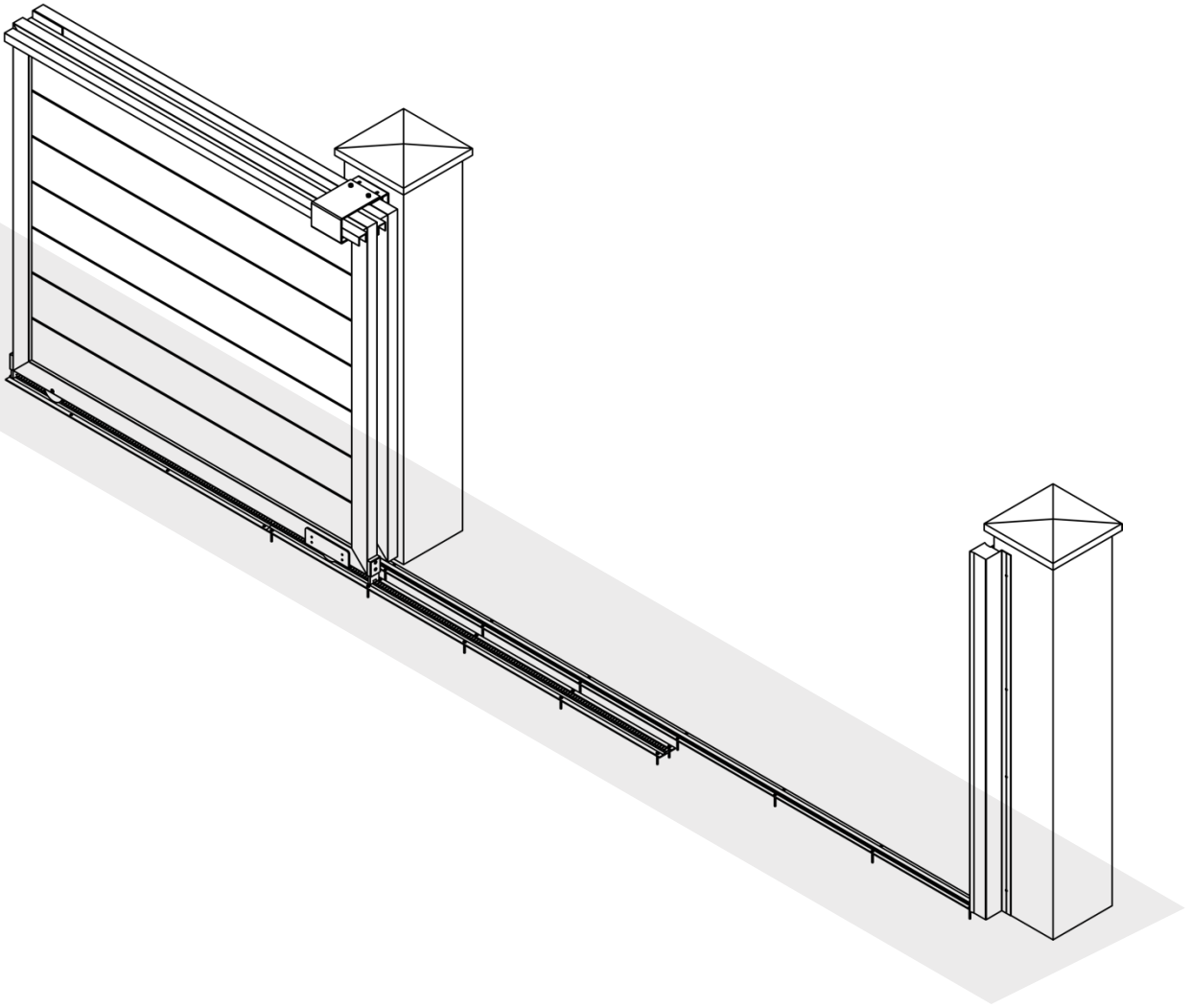
## Fixing the guide



## V/ Unpack and install the door leaves:

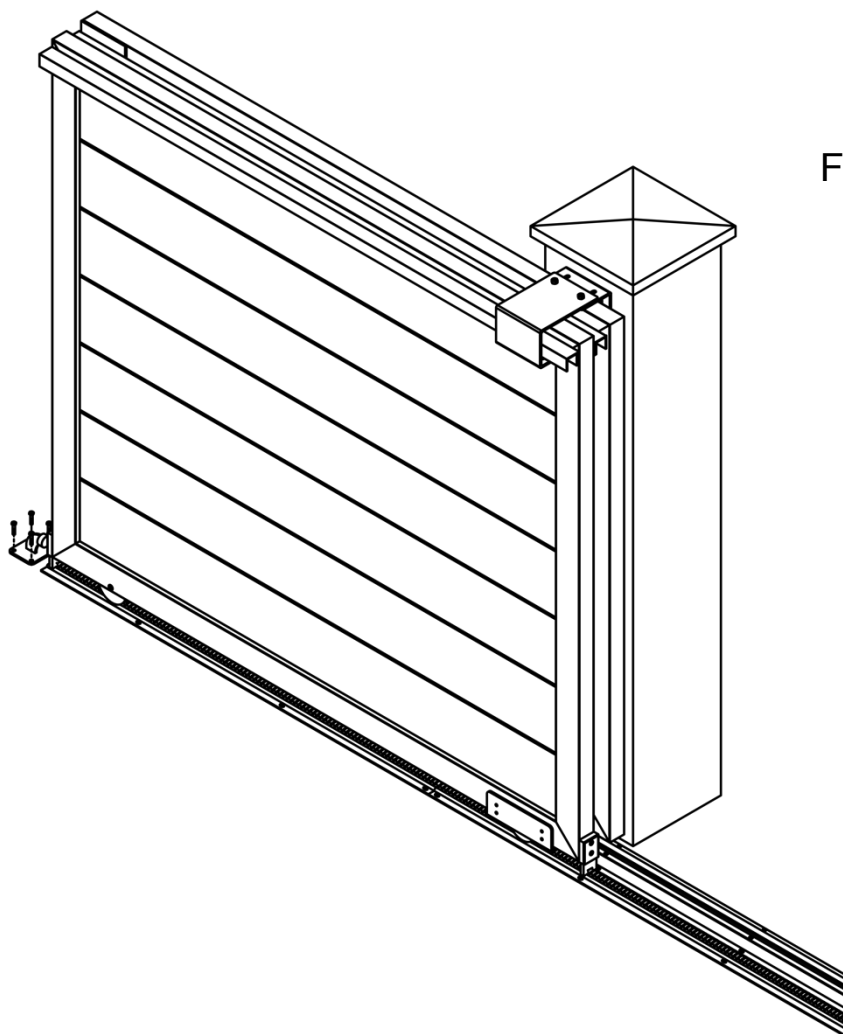
1. Using a chisel, unpack the panels, taking care not to scratch them.
2. Place the wheels of the first panel (panel with notched wheel) on the notched rail and slide it into the guide.
3. Using a spirit level, check that the panel is plumb and tighten the guide completely using a 13 mm flat spanner.
4. Place the wheels of the second leaf on the single rail and slide it inside the guide.
5. Using a spirit level, position the first rack on the wheel pinion located between the two leaves.
6. Slide the first leaf to install the next rack(s) using a spirit level.

## Installing the leaves



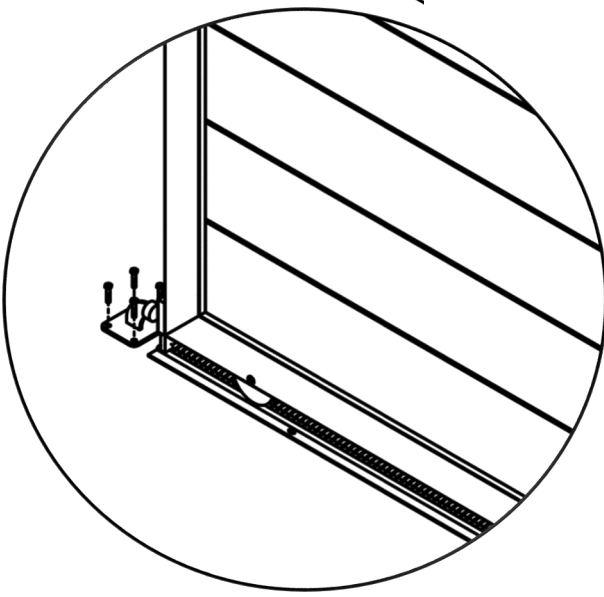
## VI/ Install the end stop:

1. Align the gate with the pillar and place the end stop on the ground, at the rear of the leaf on the inside.
2. Using a pencil/felt-tip pen, mark the reference points.
3. Using a drill and an 8 mm diameter concrete drill bit, drill the previously marked holes, clean and vacuum.
4. Using a hammer, insert the studs (M8x80) and tighten them with a flat spanner.
5. Install the screw covers.



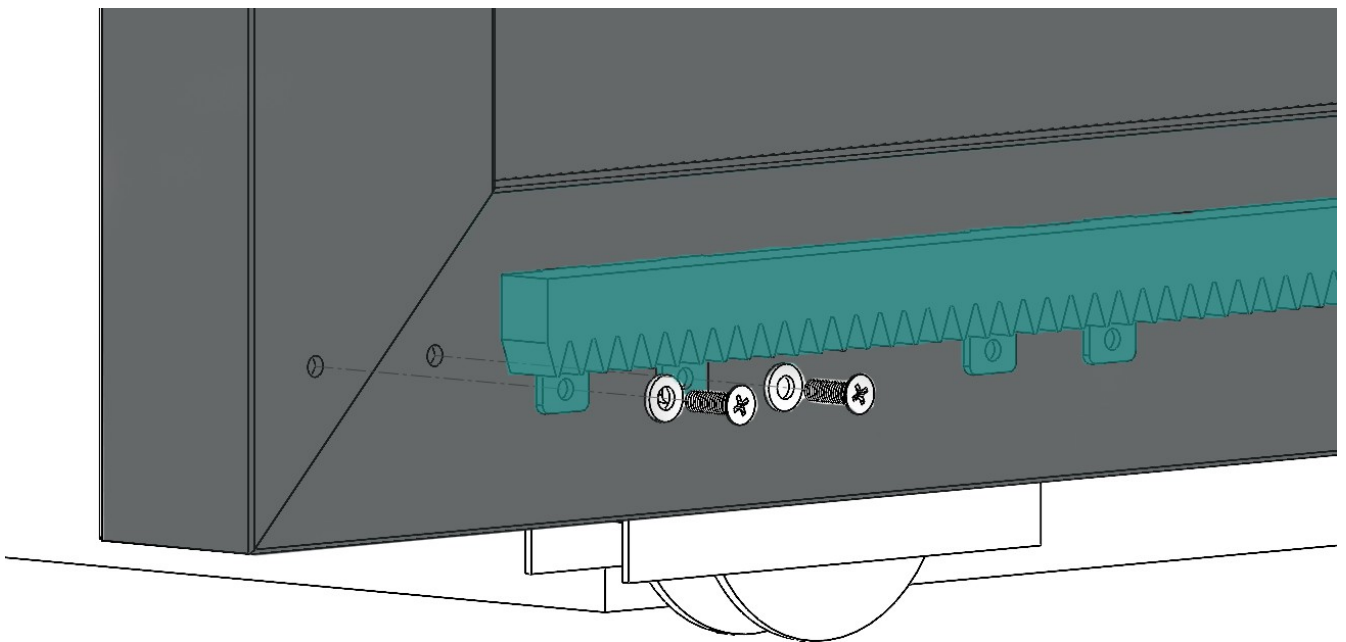
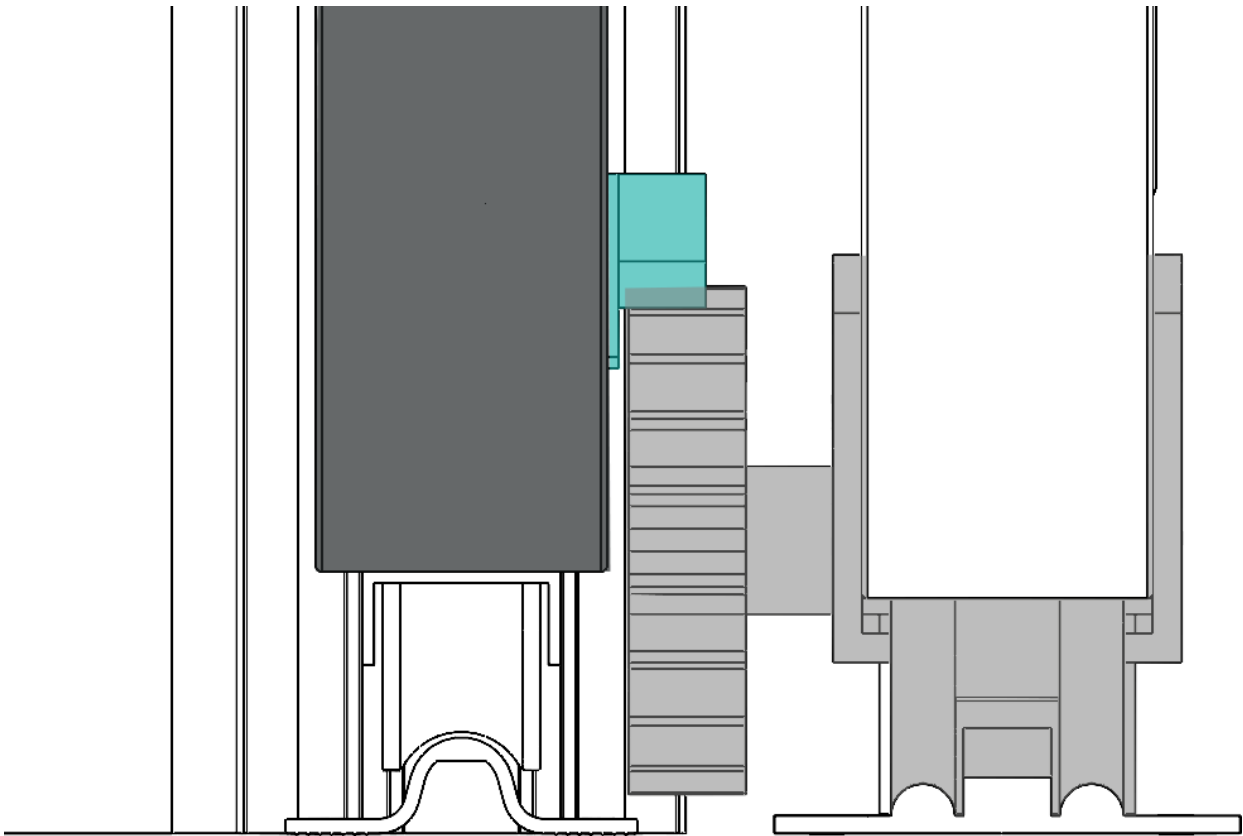
Fit the end stop

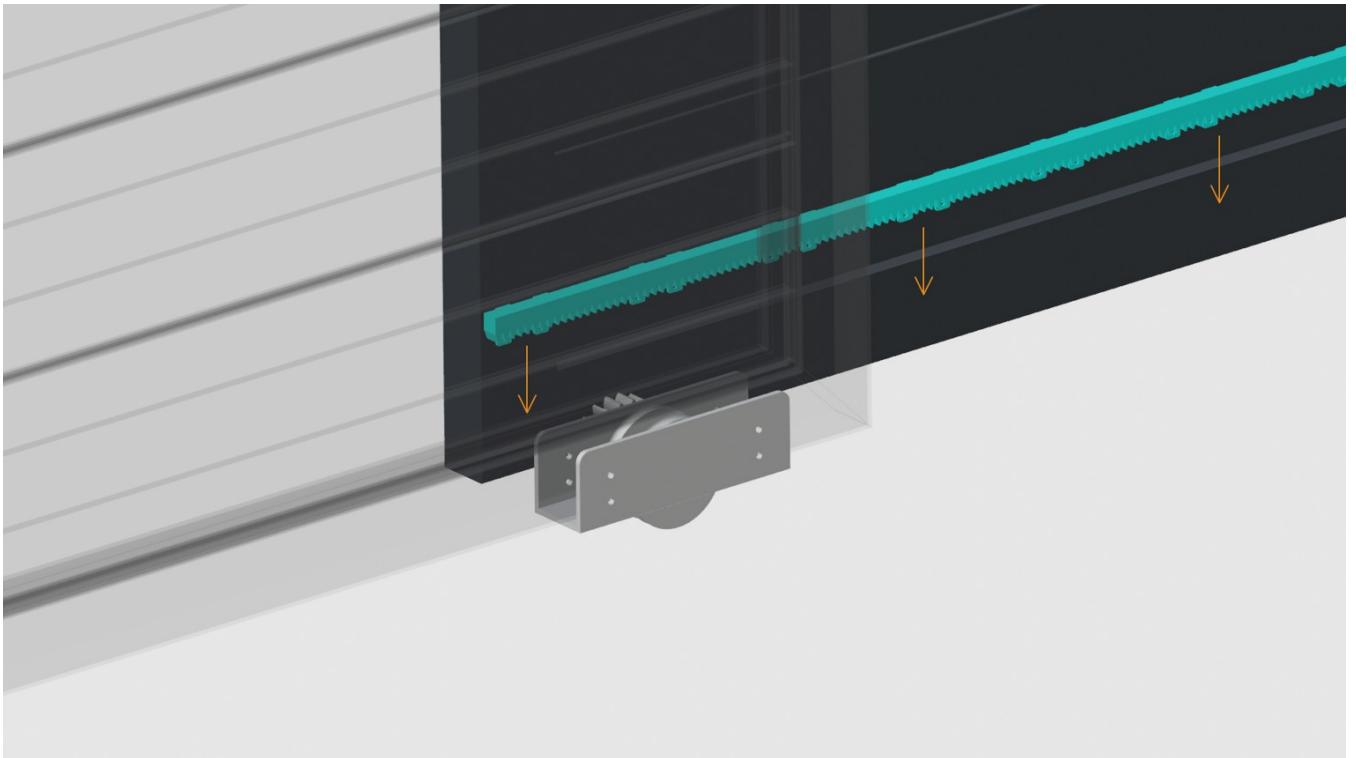
Install the end stop



## VII/ Install the rack between the two leaves:

1. Close the gate and place the outer leaf so that it covers the telescopic system of the second leaf.
2. Fit the first rack onto the pinion of the telescopic system located between the two leaves. It must be aligned with the outer leaf so that it is not visible from the outside.
3. Check that the rack is level by placing a spirit level on it, then mark the drilling location and drill with a metal drill bit of diameter 4mm before of screw the rack.
4. Install the following racks in the same way.
5. Once installation is complete, check that the gate is working properly by sliding it by hand. If necessary, unscrew the rack where needed to adjust its level, then screw it back in.





Caution: The two screws at the end of each guide rail must be kept. They can be removed during installation with care, but they must be reinstalled at the end to prevent the gate leaves from falling.

Congratulations, you have completed the installation of your telescopic sliding gate!