

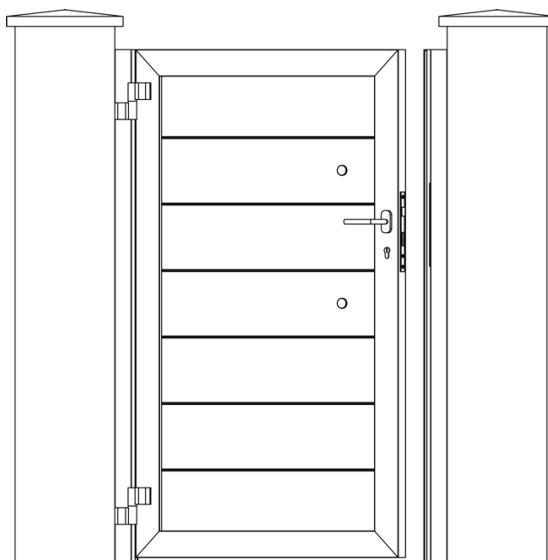
INSTALLATION INSTRUCTIONS

# PEDESTRIAN GATE



*le portail en ligne*





2x 

### LIST OF PARTS SUPPLIED:

- 1 gate with finishing parts
- 1 closing stop
- Lock, handle and pull bar Screws,



plugs and bolts not supplied

## Equipment required for installation (not supplied):



Gloves



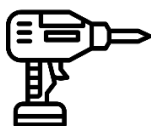
Safety goggles



Scissors  
(for unpacking)



1 drill



1 screwdriver



Spirit level



8 and 14 mm  
concrete drill  
bits



Tape measure



Pencil/felt-tip pen



Hammer



Hex key,  
diameter 5



Wooden wedge

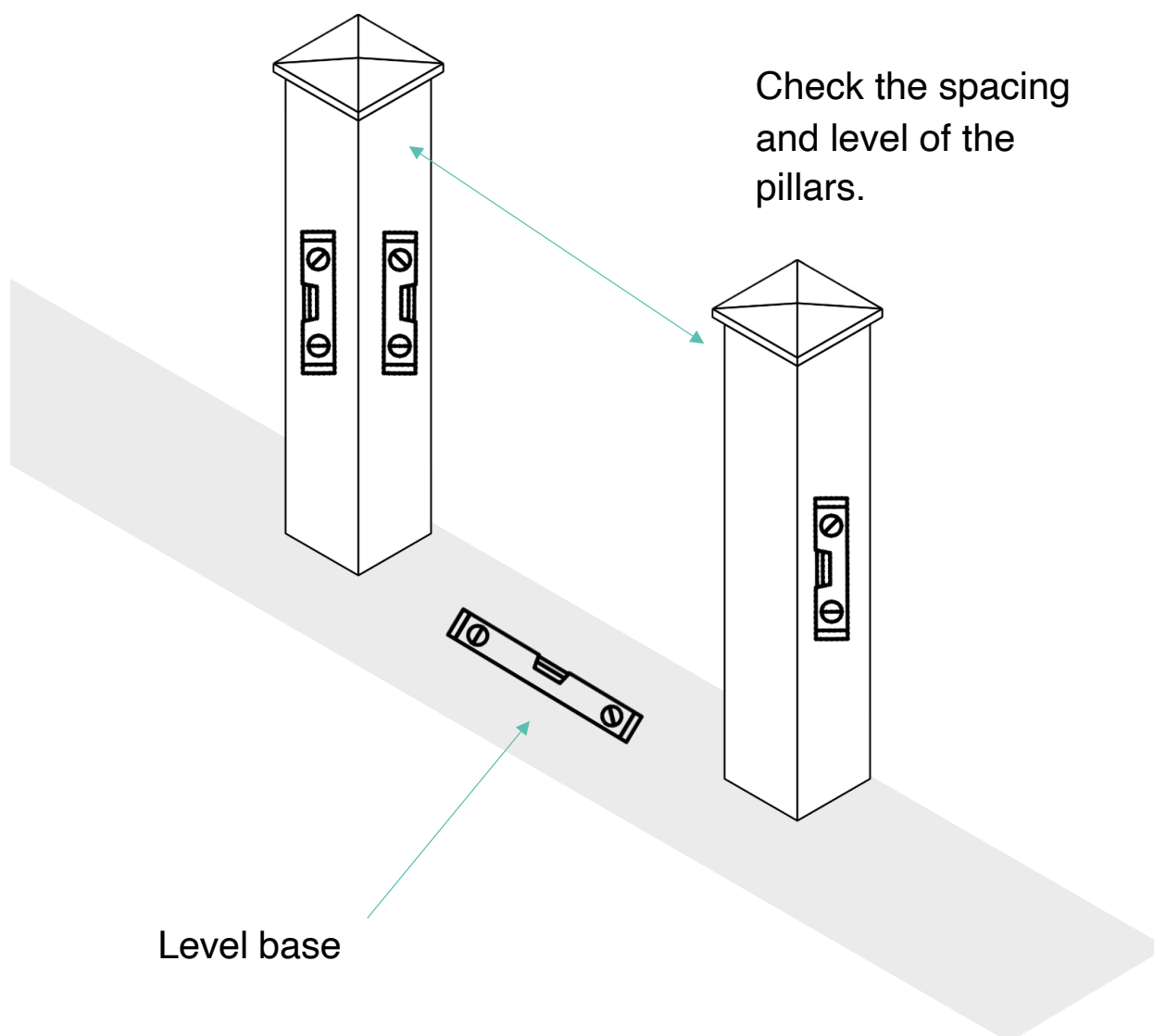


4 mm diameter metal  
drill bits

## Installation steps:

### I/ Checking dimensions and levels:

1. Using a tape measure, check the dimensions between the pillars at the top and bottom, as well as the height under the caps.
2. Using a large spirit level, check the level of the floor.
3. Using a spirit level, check that each side of the pillars is plumb.

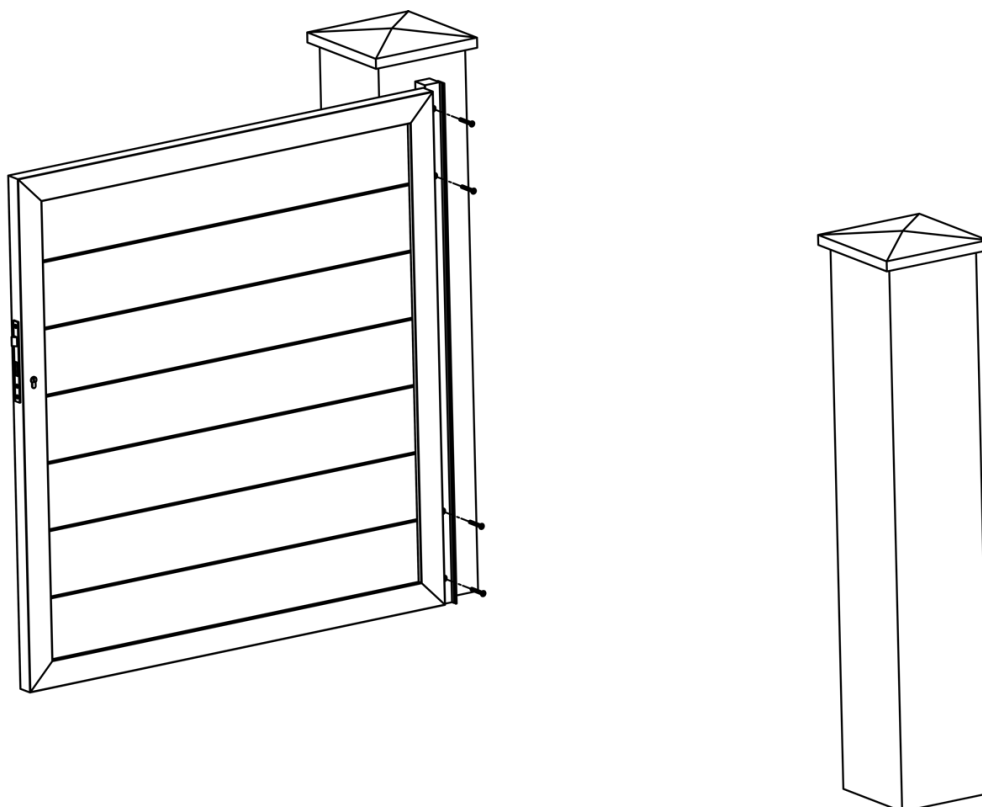


## II/ Unpack and install the gate:

1. Using a pair of scissors, unpack the gate, taking care not to scratch it.
2. Using a pencil/felt-tip pen, mark a line in the middle of the post, then mark two more lines 2.5 cm to the left and right of the initial line.
3. Place a wedge on the ground to hold the gate in place.
4. Align the gate trim piece with the marks you have made.
5. Using a large spirit level, check that the gate is level, then use a pencil/felt-tip pen to mark the reference points on either side of the top of the finishing piece.
6. Using a drill and an 8 mm diameter concrete drill bit, drill the fixing marks on the finishing piece.
7. Remove the gate and finish drilling the fixing marks with a 14 mm diameter concrete drill bit. Vacuum and dowel the finishing piece with the hinges.
8. Secure the gate and the finishing piece, then use a screwdriver to screw them in place.

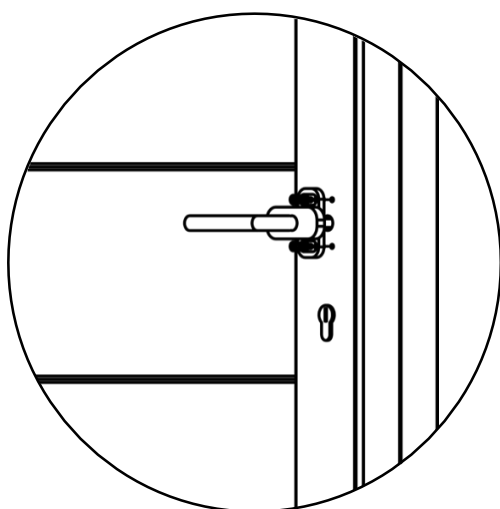
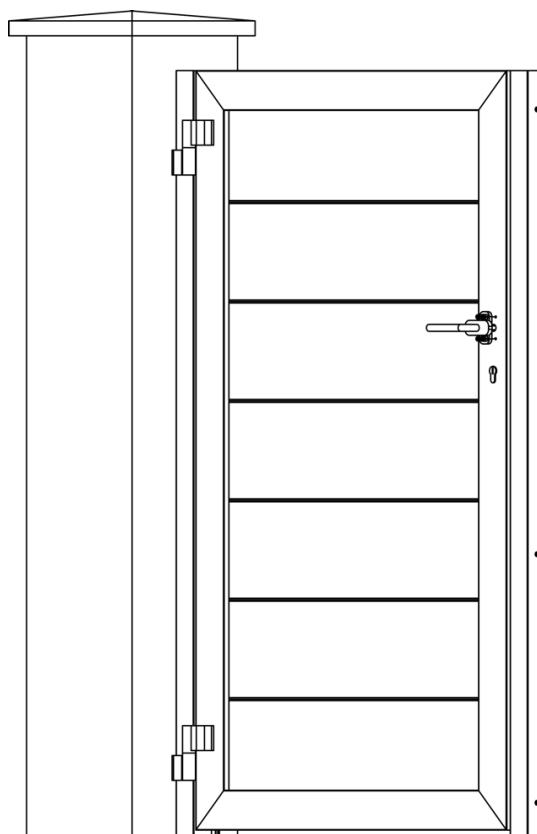
### III/ Drill and screw the door leaf to the post:

Close the gate, then use a spirit level to check that it is aligned and use a pencil/felt-tip pen to mark the reference points on the opposite pillar.



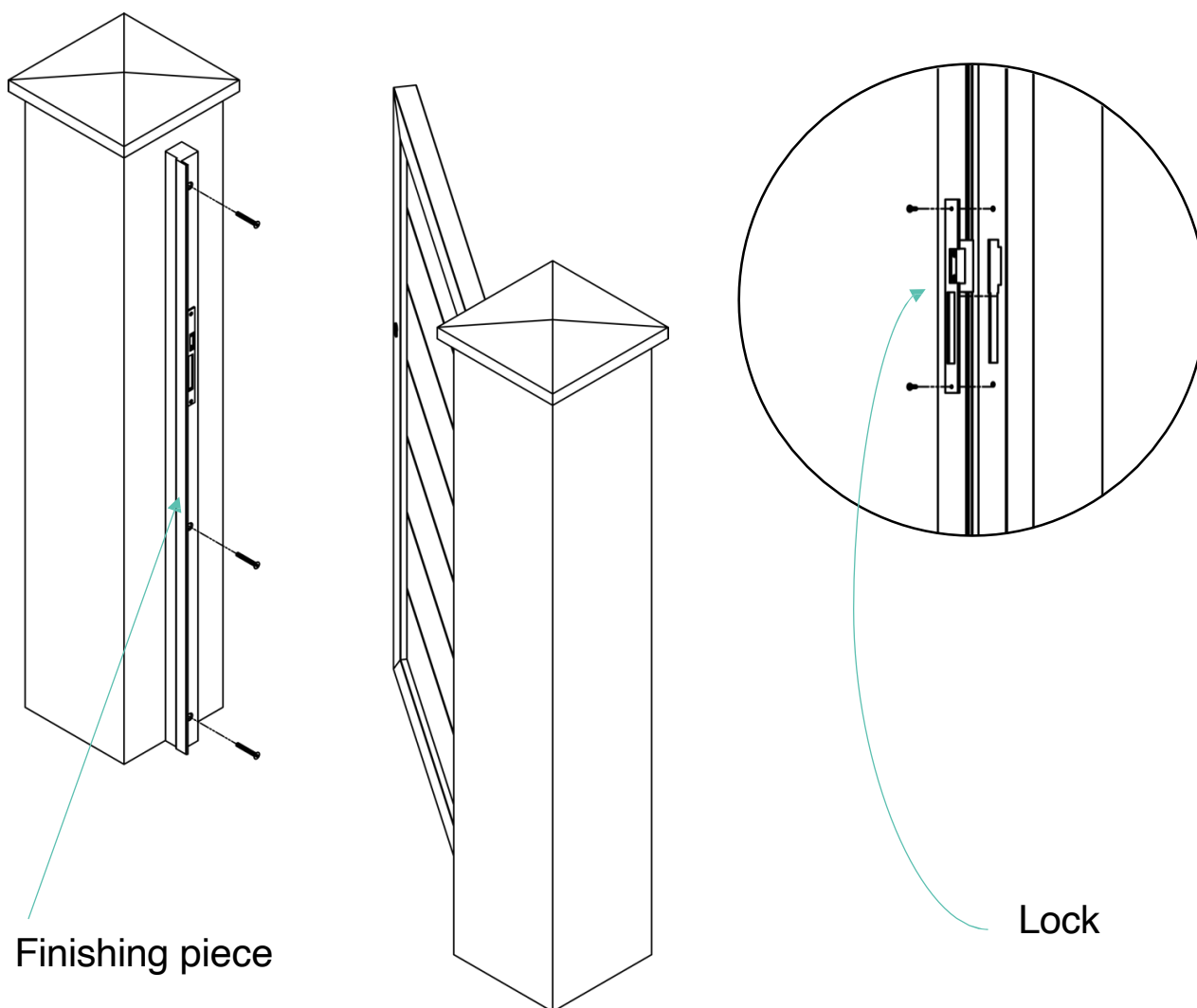
#### IV/ Attach the handle:

1. Position the handle, then use a screwdriver to screw the inner handle into the holes provided for this purpose in the gate (on the inside of the gate).



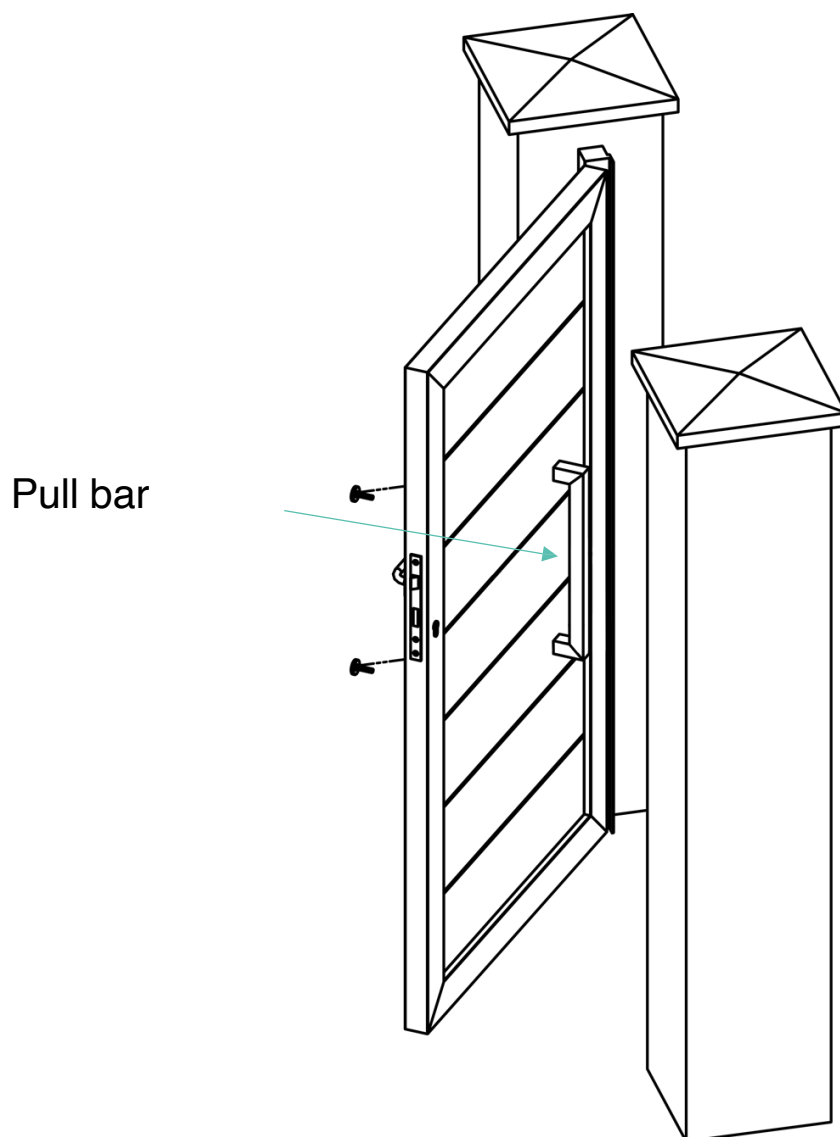
#### IV/ Attach the lock trim:

1. Align the finishing piece with the gate and use a pencil/felt-tip pen to mark the reference points.
2. Using a concrete drill and an 8 mm drill bit, drill the markings.
3. Remove the finishing piece and then finish drilling the fixing marks with a 14 mm diameter concrete drill bit, vacuum and dowel the finishing piece with the hinges.
4. Using a screwdriver, screw in the finishing piece and check that it is aligned with the gate.
5. Attach the lock to the finishing piece in the designated location, then screw it in place using a screwdriver.



## V/ Attach the pull bar:

1. Using a drill and a 4 mm metal drill bit, drill and countersink the gate to the desired height and the dimensions of the pull bar.
2. Screw the pull bar into place by inserting the screws into the holes you just drilled.
3. Finish screwing using a 5 mm hex key.



Congratulations, you have completed the installation of your gate!